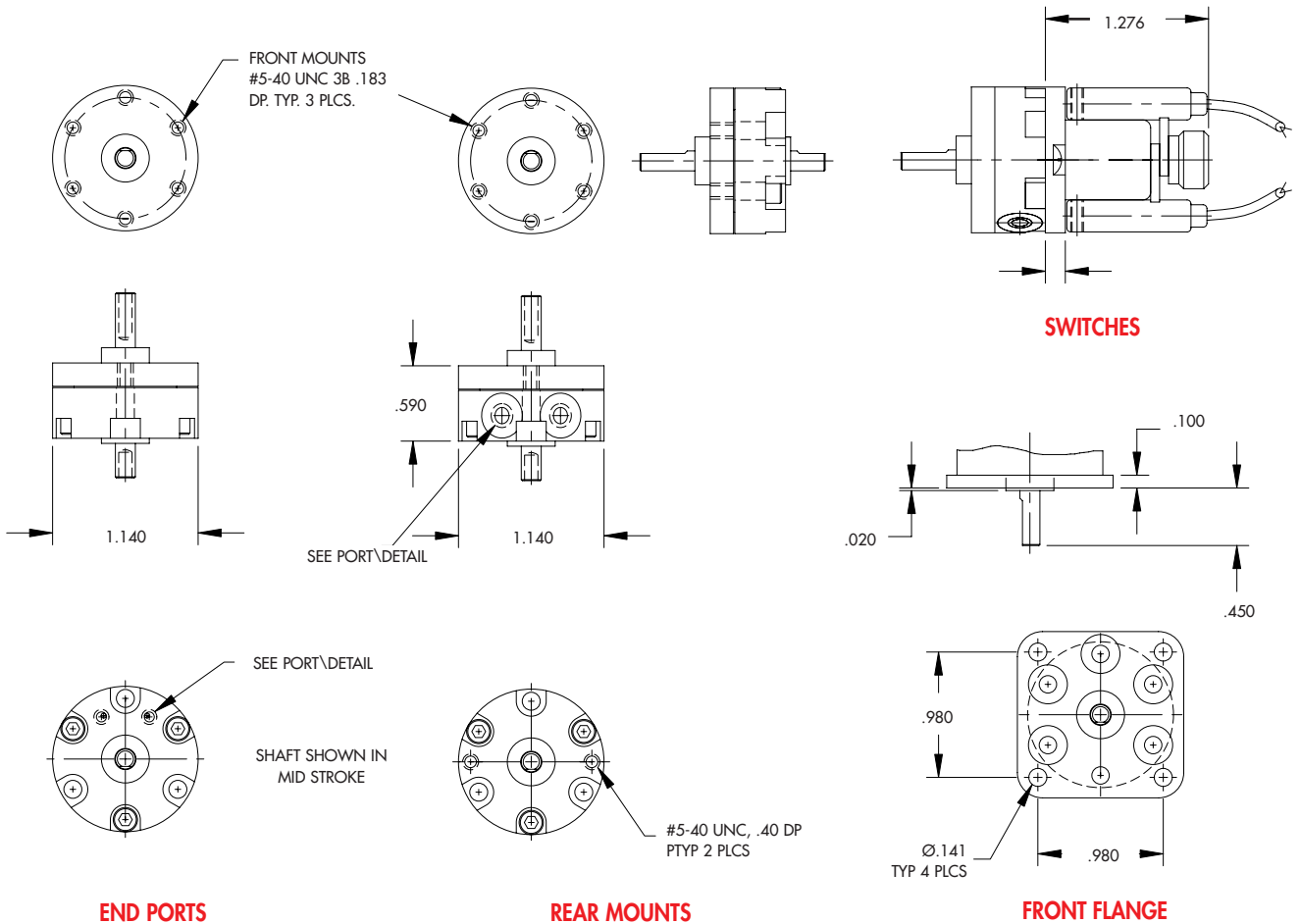


Dimensional Data



How to Order: Micro-Vane

SERIES	TORQUE	ROTATION	PORTS	OPTIONS	OPTIONS
MV	10	90	SM3	XXX	XXX
1	2	3	4	5	5

1	Series
MV	Micro-Vane

2	Torque
1	One Inch Pound

3	Rotation
90	Rotation
180	Rotation
270	Rotation

4	Ports
E	M3 Tapped End Ports
S	10-32 Tapped Side Ports
SM3	M3 Tapped Side Ports

5	Options
100	Flange
Switch Options	
A00	Switch Pkg. - No Switches
A02	Switch Pkg. - 2 Reed switches
A05	Switch Pkg. - 2 Sourcing switches
A08	Switch Pkg. - 2 Sinking Switches